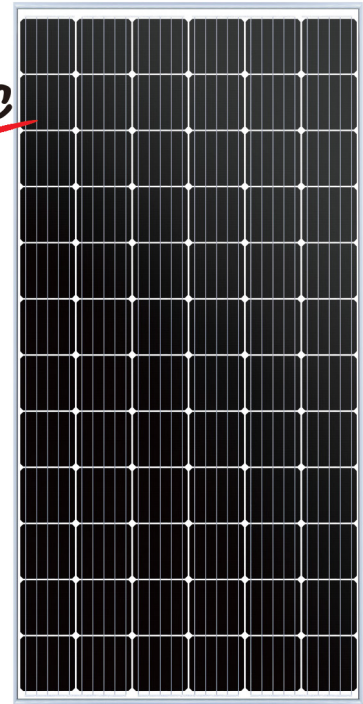


# SOLARCOM

*perc*



## Solarcom SM Series

Monocrystalline Silicon Module



Advanced processing techniques realize great module efficiency to a maximum of 19.58%, steady power output guaranteed



0~+5W Positive tolerance delivers higher output reliability



Excellent performance even under low-light settings, such as dawn, dusk and cloudy day

PID

Advanced cell technology and qualified materials lead to high resistance to PID

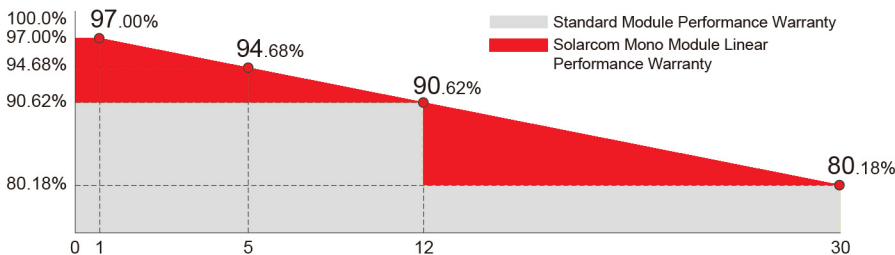


Excellent mechanical load resistance: wind loads (2400Pa) & snow loads (5400Pa)



Reliable quality leads to a better sustainability even in harsh environment like desert, farm and coastline

### LINEAR PERFORMANCE WARRANTY



Product Material & Workmanship  
**12** YEAR WARRANTY

Linear Performance  
**30** YEAR WARRANTY



ELECTRICAL PROPERTIES   STC*	360	365	370	375	380
Peak Power (Pmax   W)	360	365	370	375	380
MPP Voltage (Vmp   V)	39.9	40.3	40.6	40.9	41.2
MPP Current (Imp   A)	9.03	9.07	9.11	9.17	9.22
Open Circuit Voltage (Voc   V)	47.8	48.1	48.4	48.7	49
Short Circuit Current (Isc   A)	9.61	9.66	9.71	9.77	9.82
Module Efficiency (%)	18.55	18.81	19.07	19.33	19.58
Power Tolerance	0~+5W				
Operating Temperature	-40°C ~ +85°C				
Maximum System Voltage	1500V (IEC)				
Maximum Series Fuse Rating	15A				
Fire Safety	Class C				

\*STC (Standard Test Condition): Irradiance 1000W/m<sup>2</sup>, Cell Temperature 25°C, AM 1.5

ELECTRICAL PROPERTIES   NOCT*	267	271	274	278	281
Peak Power (Pmax   W)	267	271	274	278	281
MPP Voltage (Vmp   V)	36.40	36.70	37.00	37.30	37.60
MPP Current (Imp   A)	7.33	7.38	7.43	7.48	7.53
Open Circuit Voltage (Voc   V)	44.20	44.40	44.60	44.80	45.00
Short Circuit Current (Isc   A)	7.79	7.84	7.89	7.94	7.99

\*NOCT (Nominal Operating Cell Temperature): Irradiance 800W/m<sup>2</sup>, Ambient Temperature 20°C, AM 1.5, Wind Speed 1m/s

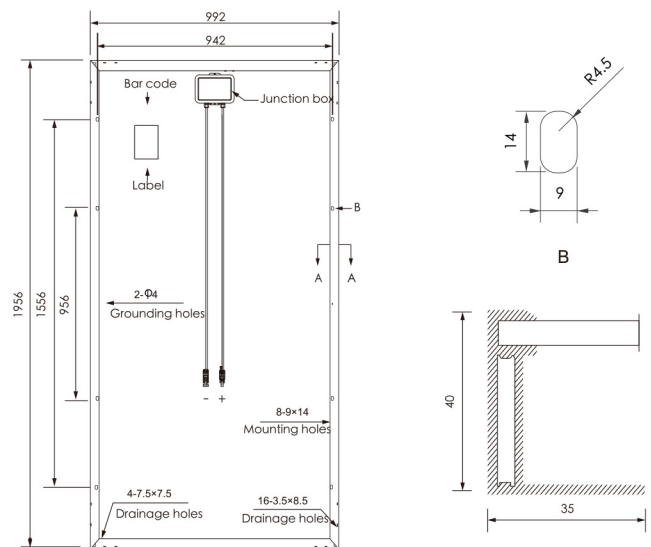
MECHANICAL PROPERTIES	
Cell Type	Mono Cell (156.75 x 156.75mm)
Number of Cells	6 x 12 (72pcs)
Dimension	1956x992x40mm
Weight	23.0kg
Front/Rear Glass	3.2mm Tempered Glass
Frame	Anodized Aluminium Alloy
Junction Box	IP67, 3 Diodes
Cable Type	4.0 mm <sup>2</sup>
Length of Cable	1200mm
Connector	MC4 Compatible

TEMPERATURE COEFFICIENT	
Temp. Coeff. Of Pmax (TK Pmax)	-0.390%/°C
Temp. Coeff. Of Voc (TK Voc)	-0.300%/°C
Temp. Coeff. Of Isc (TK Isc)	0.05%/°C
NOCT	45±2°C

PACKING MANNER		
Packing Type	20GQ	40HQ
Piece/Pallet	26	26
Pallet/Container	10	24
Piece/Container	260	624

\* The specification and key features described in this datasheet may deviate slightly and are not guaranteed. Due to ongoing innovation, R&D enhancement, Solarcom reserves the right to make any adjustment to the information described herein at any time without notice. Please always obtain the most recent version of the datasheet which shall be duly incorporated into the binding contract made by the parties governing all transactions related to the purchase and sale of the products described herein.

## ENGINEERING DRAWING (unit: mm)



## I-V CURVES

